



ReachMaster

# 1730 WINLET



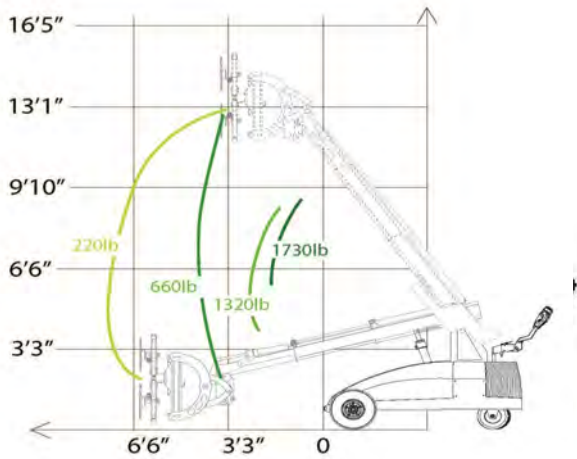
Pat. Pending

## Don't break your back - or the glass!

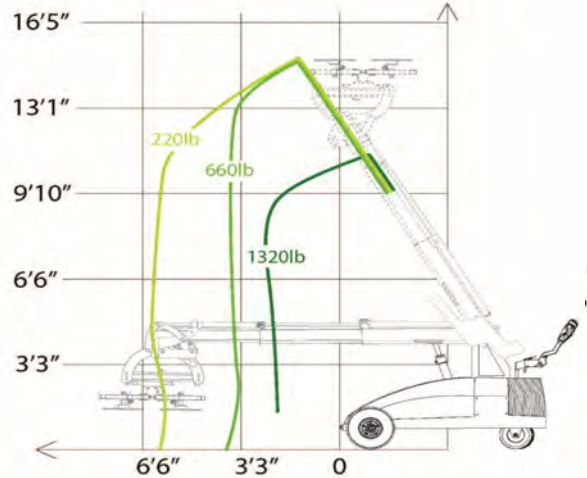
- Lifts 1730 lbs
- Safer than manual handling
- Self propelled
- Improve job efficiency and work environment
- Access narrow doorways, elevators and balconies
- Twin wheels for rough terrain operations
- Lifts all airtight materials (glass, granite, concrete, steel, tile, fire doors, etc.)



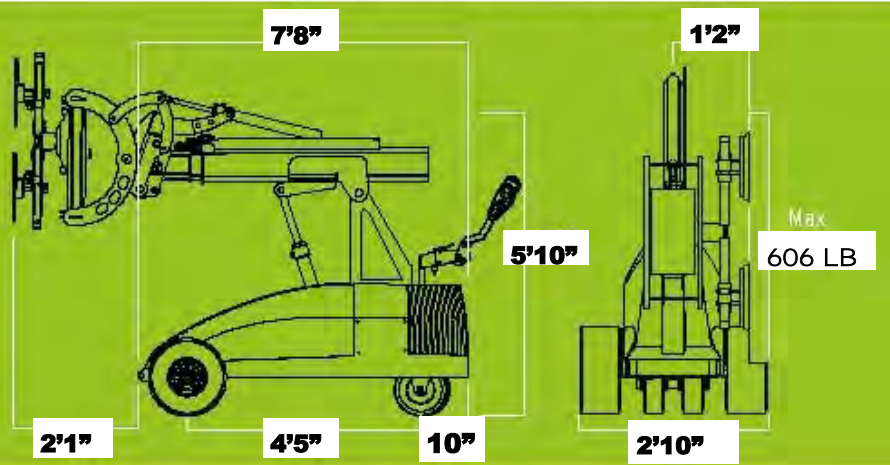
### Reach Diagram



### Pickup and Place Diagram



- User friendly
- Easy to transport
- Increase efficiency
- Double action safety keys
- Improve safety on jobsites
- Increase your bottom line
- Multi functional control box



### Specifications

External Length	7'8" - 8'6"
External Width	2'10"
Max. Lifting Capacity	1,730 lbs
Max Load @Max Extension	220 lbs
Maximum capacity on Side	606 lbs
Total weight (excluding counterweight)	2,517 lbs
Total Weight (including counterweight)	3,134 lbs
Min. Extension (front bumper to suction cup)	2'1"
Max Extension (front bumper to suction cup)	8'2"
Max Lifting Height (to center of lifting yoke)	13'
Hydraulic Side Offset	2'9"
Fine Lift on Arm	7"
Tilt Function	180°
Hydraulic Rotation	180°
Suction cups	4 X 16"
Batteries	2 X 150 AH



### Accessories

- Twin wheels for rough terrain
- Lifting fork for pallets
- Lifting hook for straps
- Forklift Adapter
- Radio Remote