

Winlet


ReachMaster

2200 WINLET



Don't break your back - or the glass!

- Lifts 2200 lbs
- Safer than manual handling
- Self propelled
- Improve job efficiency and work environment
- Access narrow doorways, elevators and balconies
- Twin wheels for rough terrain operations
- Lifts all airtight materials (glass, granite, concrete, steel, tile, fire doors, etc.)

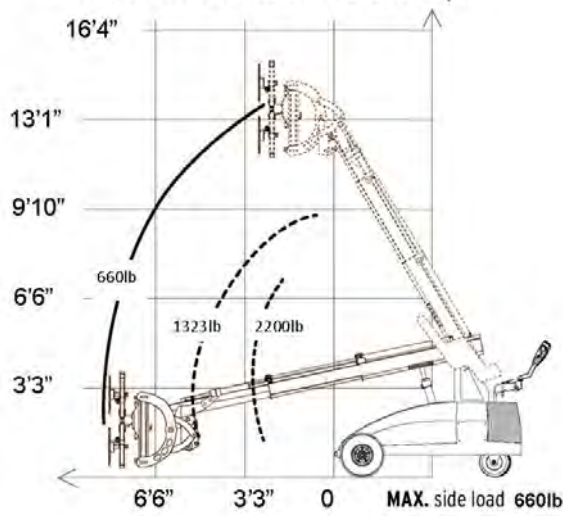


ReachMaster, Inc.

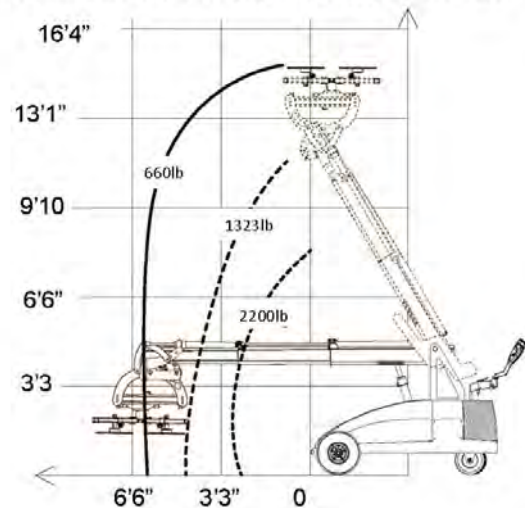
www.reachmaster.com

1.866.358.7088

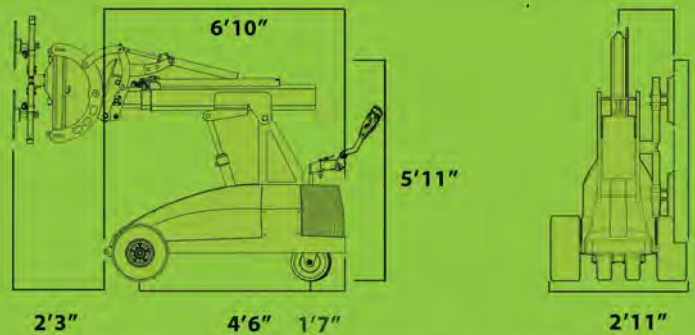
REACH DIAGRAM



PICKUP AND PLACE DIAGRAM



- User friendly
- Easy to transport
- Increase efficiency
- Double action safety keys
- Improve safety on jobsites
- Gyro feature standard
- Increase your bottom line
- Multi functional control box



Specifications

External Length	6'10"
External Width	2'11"
Max. Lifting Capacity	2200 lbs
Max Load @ Max Extension	661 lbs
Maximum Capacity on Side	661 lbs
Total Weight (excluding counterweight)	2954 lbs
Total Weight (including counterweight)	3968 lbs
Min. Extension (front bumper to suction cup)	2'3"
Max Extension (front bumper to suction cup)	8'4"
Max Lifting Height (to center of lifting yoke)	13'5"
Hydraulic Side Offset	3"
Fine Lift on Arm	7 3/4"
Tilt Function	180°
Hydraulic Rotation	180°
Suction cups	4 x 16" or 8 x 14"
Batteries	2 x 150 AH



Accessories

- Twin wheels for rough terrain
- Support wheels for extra stability
- Lifting fork for pallets
- Lifting hook for straps
- Forklift Adapter



Toll Free: 866-358-7088

www.reachmaster.com

Superior & Simple Operator Interface